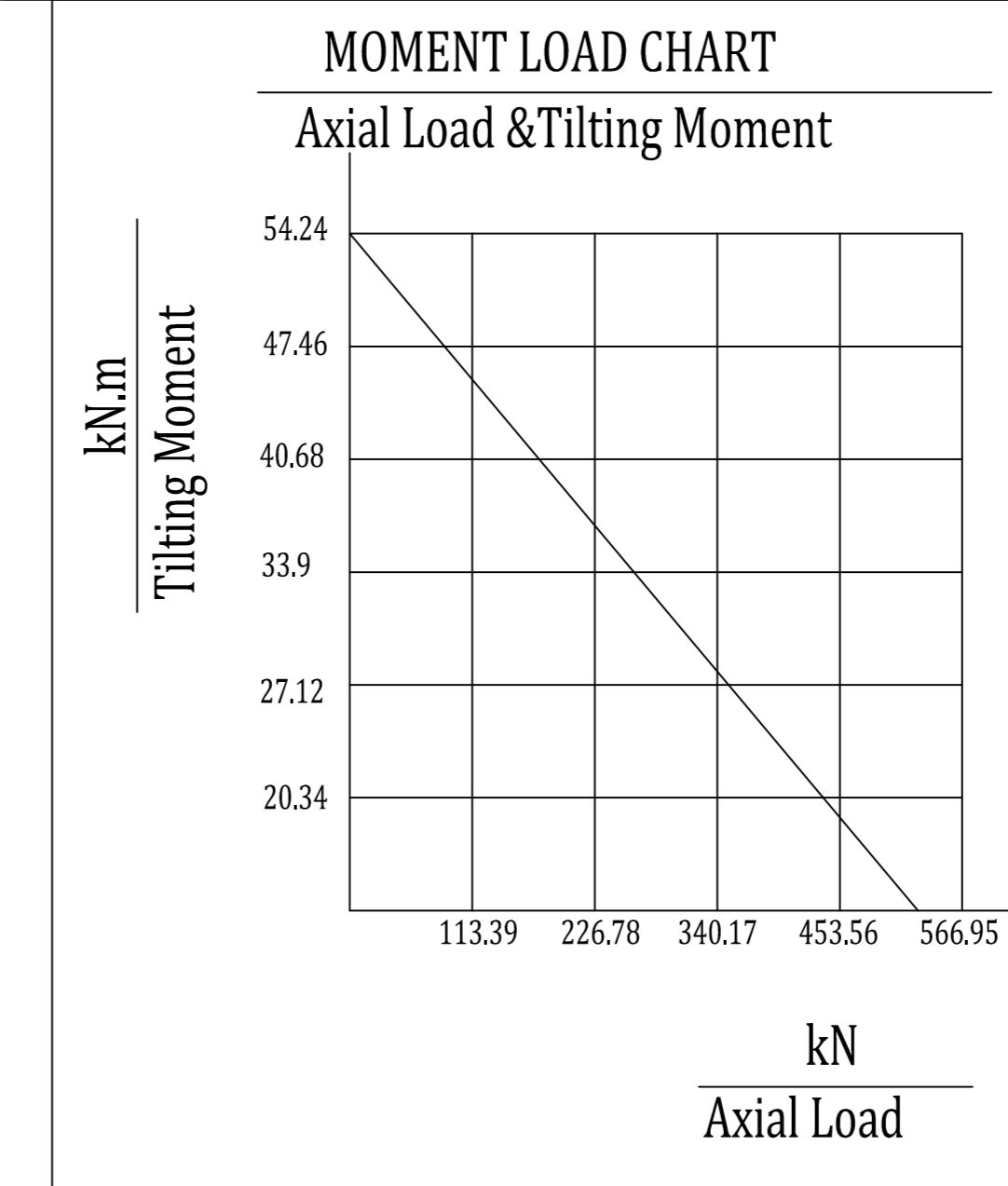
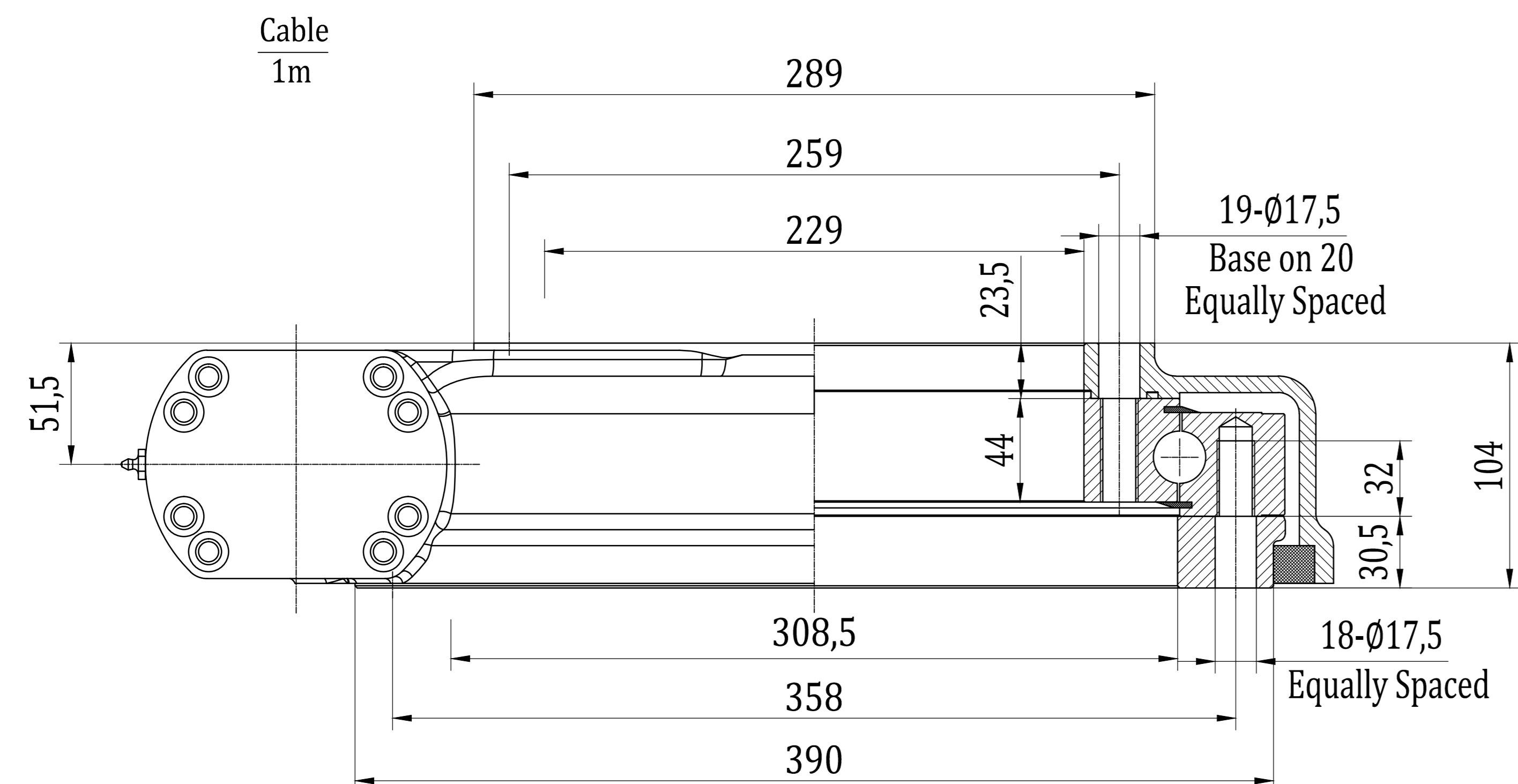
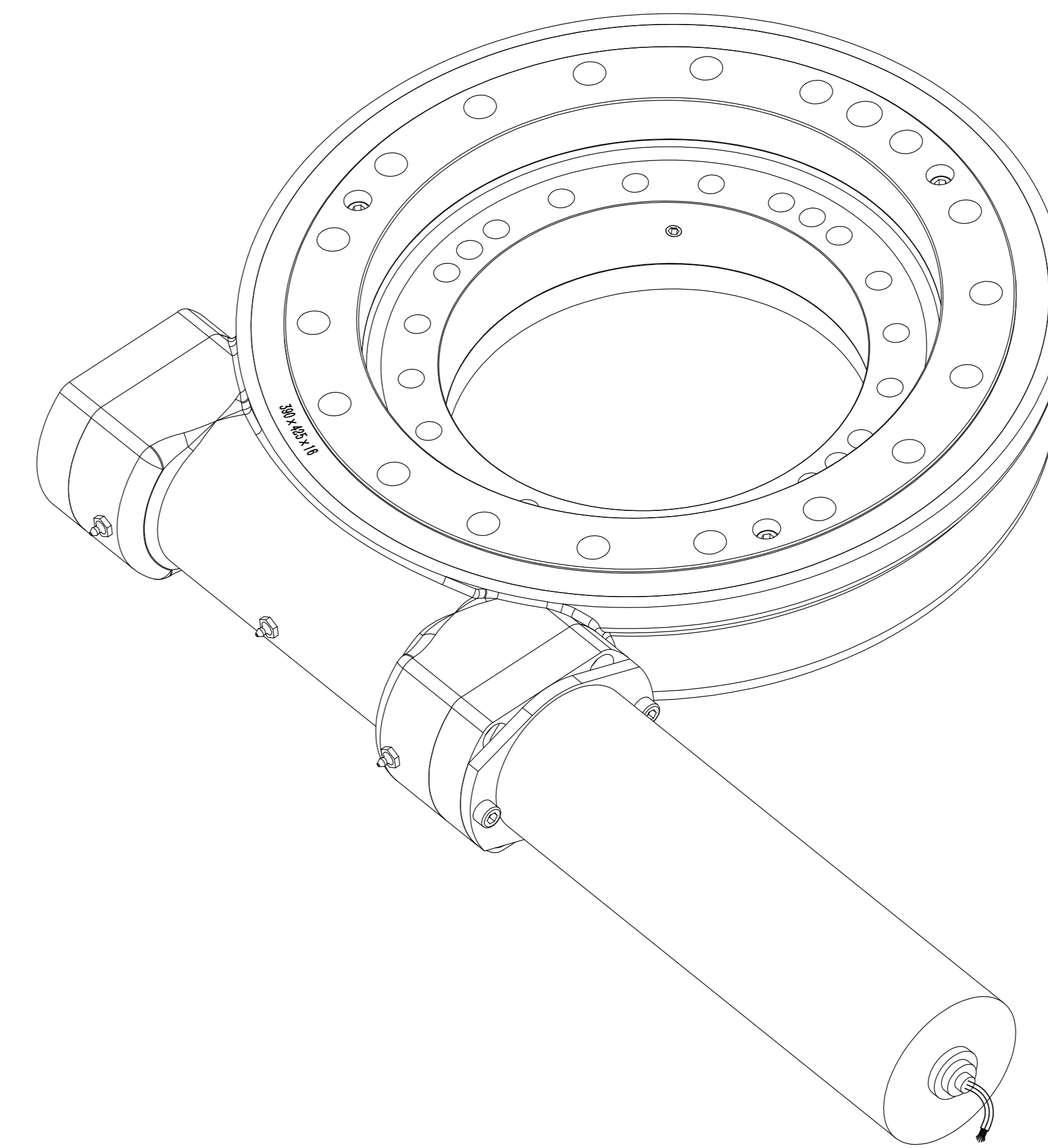



Wire Define:
 Pin 1 (Black) motor -
 Pin 2 (Red) motor +



Slewing Drive Performance Parameters		
Rated Output Speed	0.019 rpm	
Output Torque	9.36 kN.m	6.91×10 ³ lbf.ft
Tilting Moment	54.3 kN.m	40×10 ³ lbf.ft
Holding Torque	43 kN.m	31.7×10 ³ lbf.ft
Static Axial Load Rating	475 kN	106.8×10 ³ lbf
Static Radial Load Rating	190 kN	42.7×10 ³ lbf
Gear Ratio	78:1	
Precision	≤0.17°	
24VDC Motor Performance Data(24/15/300)		
Rated Output Torque	300 N.m	
Rated Output Speed	1.5 rpm	
IP Class	IP 65	
Rated Current	≤7.5A	



REV	DATE	REVISER	REVISER		
DESIGNED BY	2019/8/1	Li Ming	 www.coresundrive.com Coresun Drive Equipment Changzhou Co., Ltd.		
CHECKED BY	2019/8/1	Rui Wang			
APPROVED BY	2019/8/1	Shane Zhang			
ALL PROPRIETARY RIGHTS IN THE SUBJECT MATTER HERE OF ARE RESERVED, AND NO PERMISSION IS GRANTED OR TO DISCLOSE REPRODUCE THIS PRINT IN WHOLE OR IN PART, ANY OF THE INFORMATION TO OTHERS.			WEIGHT	SCALE	Slewing Drive
SYMBOLS ISO			63 kg	1:3	
			SIZE	A3	SC12-78-RC-2415300
			SHEET	1/1	
					REV
					A