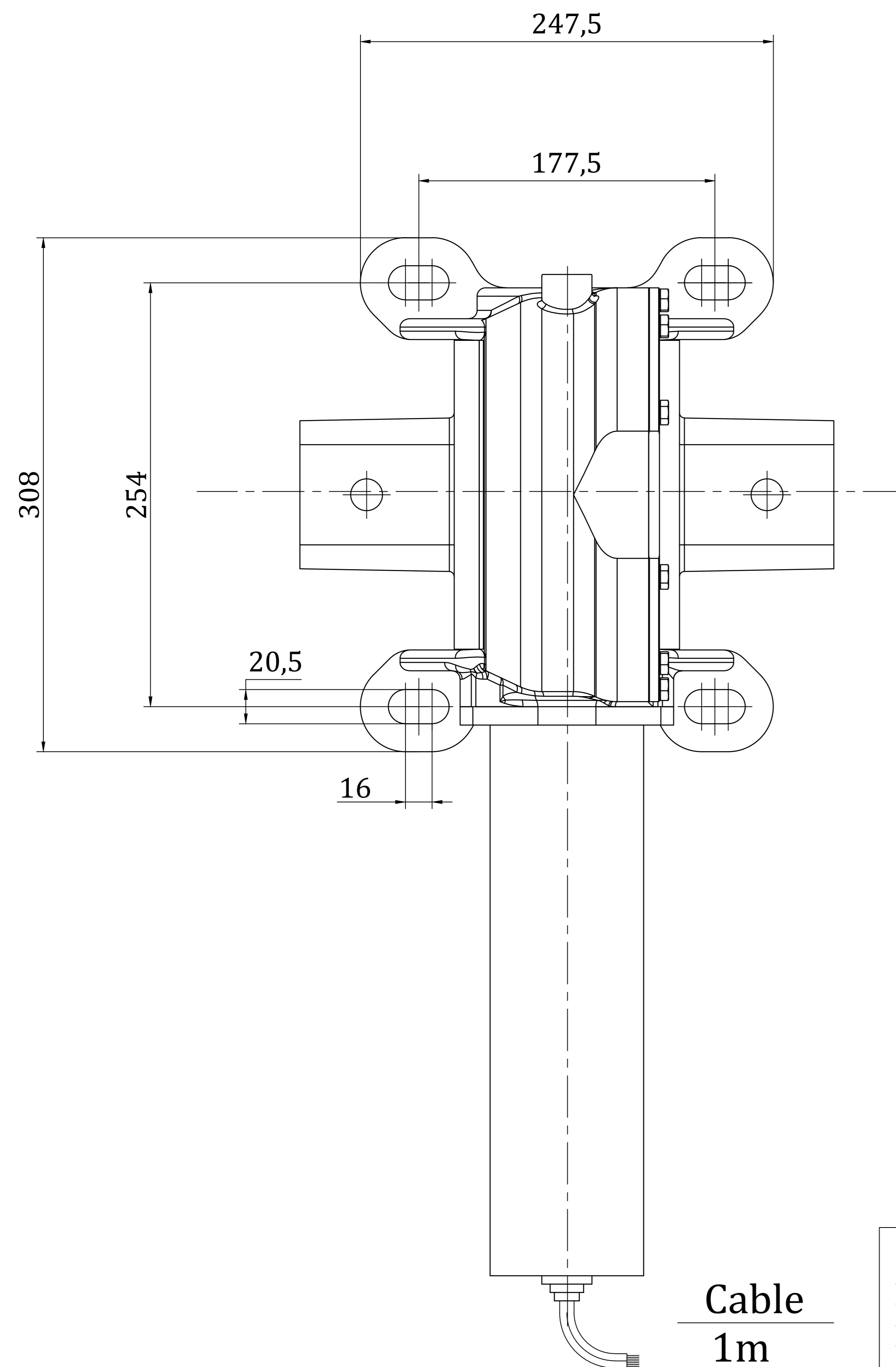
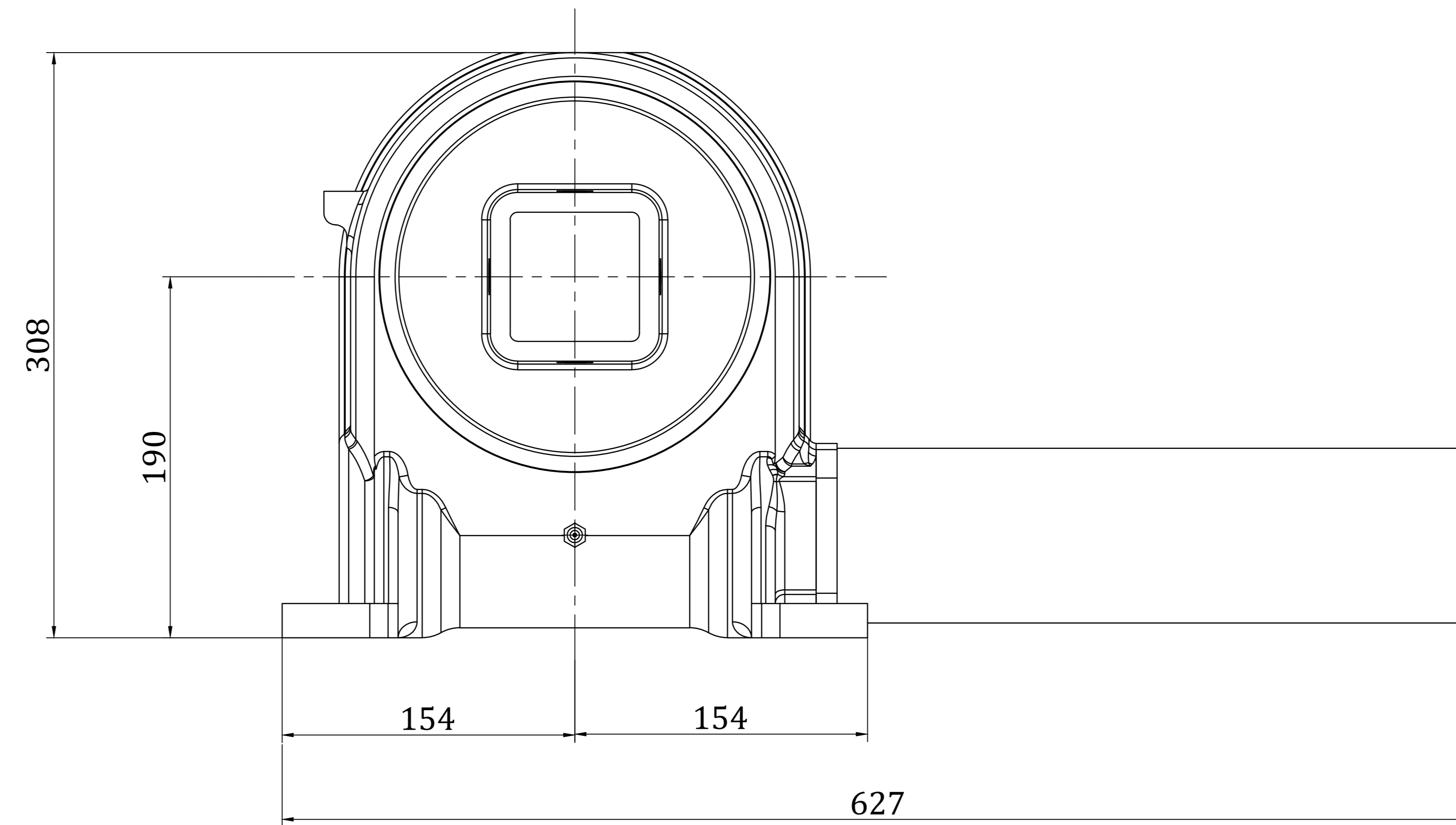
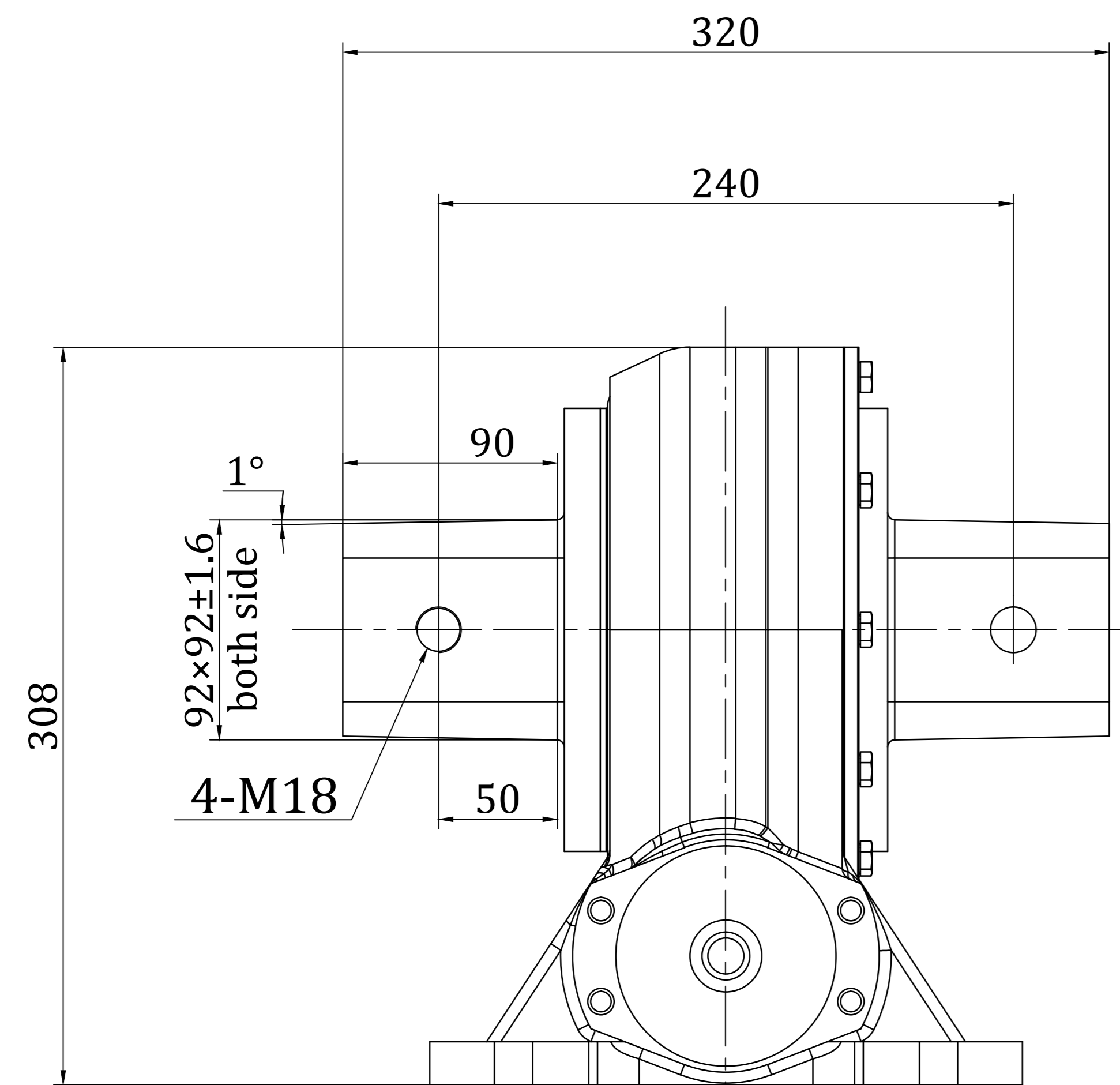
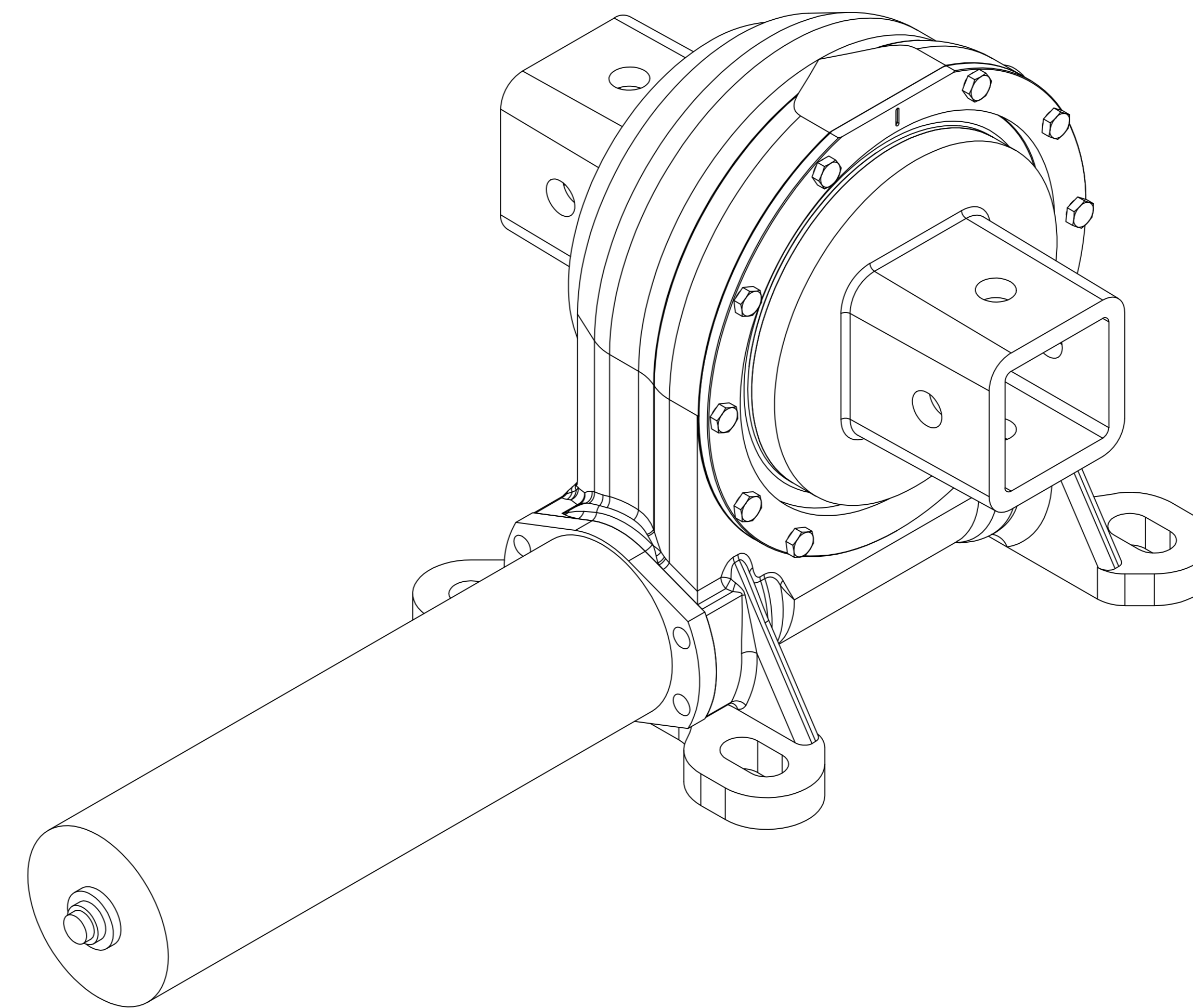



Slewing Drive Performance Parameters	
Rated Output Speed	0.025 rpm
Rated Output Torque	5400 N.m
Tilting Moment	8 kN.m
Holding Torque	40 kN.m
Static Axial Rating	100 kN
Static Radial Rating	65 kN
Dynamic Axial Rating	60 kN
Dynamic Radial Rating	45 kN
Gear Ratio	60 : 1
Hard Limit	±60°
Precision	≤ 0.17 °
24VDC Motor Performance Data	
Rated Output Torque	300 N.m
Rated Output Speed	1.5 rpm
IP Class	IP 65
Gear Ratio	717:1
Rated Current	≤7.5A



Wire Define:  
 Pin 1 (black) motor -  
 Pin 2 (red) motor +



REV	DATE	REVISER	REVISER			
DESIGNED BY	2019/7/31	Li Ming	 www.coresundrive.com Coresun Drive Equipment Changzhou Co.,Ltd.	<h2>Slewing Drive</h2>		
CHECKED BY	2019/7/31	Rui Wang				
APPROVED BY	2019/7/31	Shane Zhang				
ALL PROPRIETARY RIGHTS IN THE SUBJECT MATTER HERE OF ARE RESERVED, AND NO PERMISSION IS GRANTED OR TO DISCLOSE REPRODUCE THIS PRINT IN WHOLE OR IN PART, ANY OF THE INFORMATION TO OTHERS.			WEIGHT	SCALE	<h1>VH7-60S92-RC-2415300</h1>	REV A
			66 kg	1 : 5		
SYMBOLE ISO			SIZE	A3		
			SHEET	1 / 1		